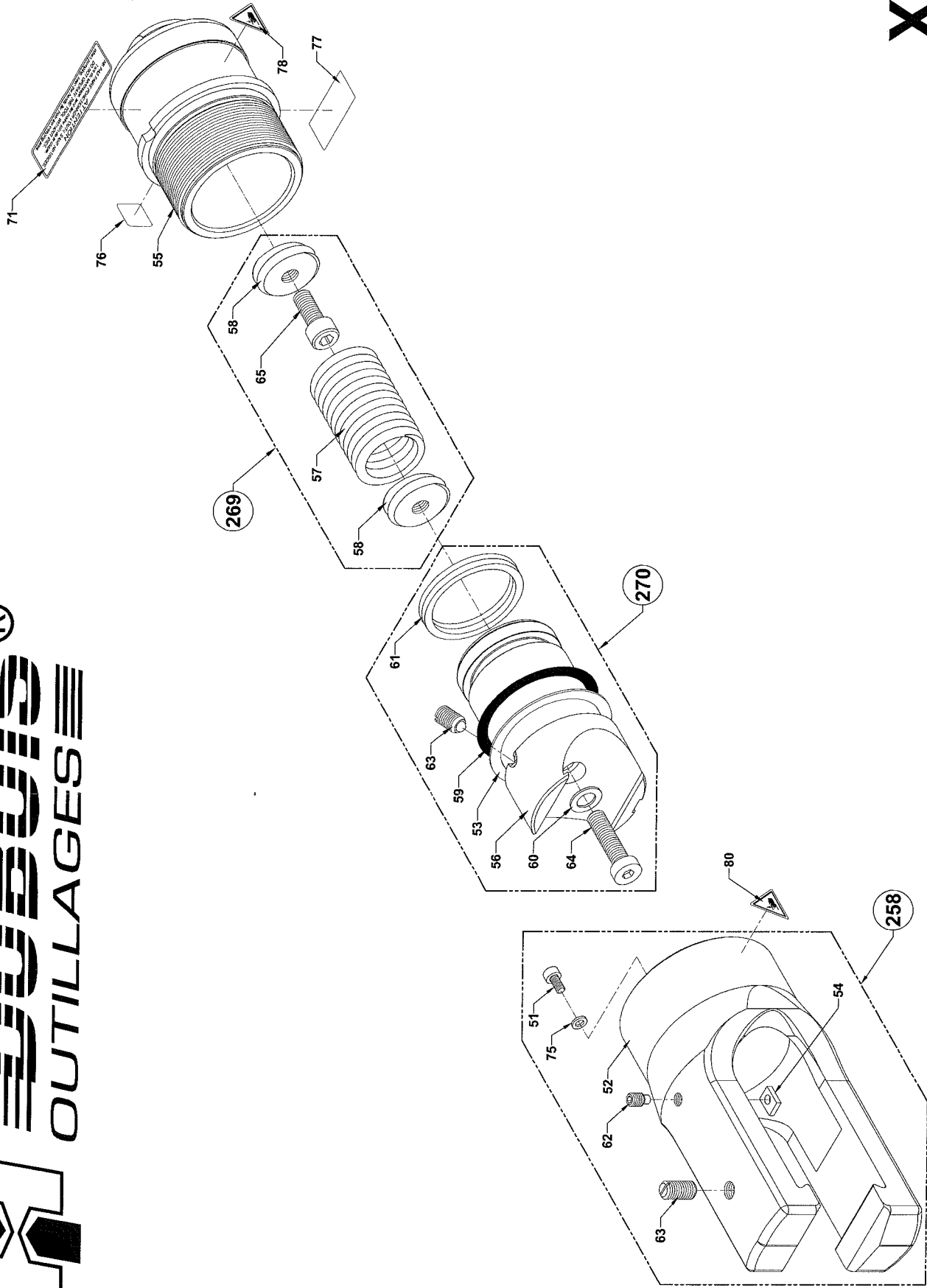


NOMENCLATURE		
Rep	Nb	REFERENCE
51	1	VAV04HCC008
53	1	30168
54	1	85029
55	1	85038
59	1	J4730262
60	1	JU0850130010
61	1	JUP404865
62	1	VAV08TT010
64	1	VAV08HB030
71	1	80136
75	1	VAR04W
76	1	70070
77	1	94036
78	1	CSSTPD337
258	1	8597C
269	1	85967C
270	1	85861C



# XH130

Repair kit - Kit de réparation  
 JBR-85906 : REP : 53 - 59 - 60 - 61

T-XH130-D - 0706

Référence DUBUIS : 85909 incl.D

## Spare Parts - Price List

11016

**KW HYDRAULIK**

Validity: 16/06/2008

**Spare parts for tool ptnb : 85909 XH130 CRIMPING HEAD ( Revision : D)**

<u>Qty</u>	<u>Part nbr</u>	<u>Your Ptnb</u>	<u>Description</u>	<u>Unit price</u>	<u>Mini Qty</u>
1	30168		WASHER	1,11 €	10
1	30240		HEAD	188,58 €	1
1	61024		SCREW	4,12 €	5
1	70070		EC STICKER	1,36 €	10
1	80136		LABEL	2,79 €	5
1	84036		LABEL	1,24 €	10
1	85008		PISTON	72,52 €	1
2	85013		SPRING FASTENER	3,92 €	5
1	85029		KEY	5,08 €	1
1	85030		SPRING	6,01 €	1
1	85038		CYLINDER	72,74 €	1
1	85867		SPRING UNIT C130-26 AND C130-3	13,67 €	1
1	J4730262		O-RING	0,53 €	10
1	JU0850130010		COPPER RING	0,59 €	10
1	JUP404865		LIP SEAL	3,50 €	5
1	VAR04W		LOCKING WASHER	0,12 €	10
1	VAV04HC008		SCREW	0,70 €	10
1	VAV06TT010		SCREW	0,60 €	10
2	VAV08BF		BALL HEADED DOWEL	4,28 €	5
1	VAV08HB030		SCREW	1,92 €	5
1	VAV08HC020		SCREW	0,84 €	10
1	ZSETPD337		LABEL	0,76 €	10

### Sales terms:

**Delivery time:** Available on stock or 4 weeks from receipt of order

**Shipment terms:** Free Carrier  
 Transport by road  
 DANZAS DHL EUROCONNECT

**Payment terms:** Transfer  
 At 30 days - date of invoice

**Minimum invoicing:** 77 €